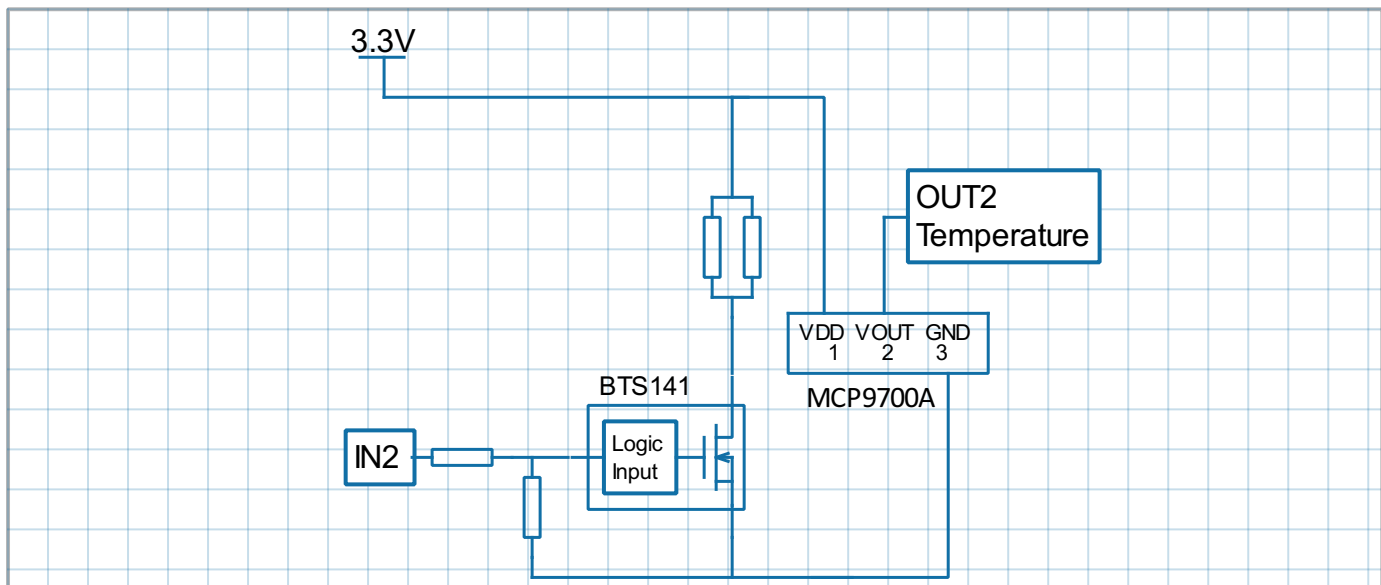


Temperature Control using LabJack and MatDeck's PID controller, with GUI Configuration

This document illustrates how the LabJack T7 device can be used to control ambient temperatures by switching the electronic circuit on and off. When the circuit is switched on, the current through the resistors causes it to heat up. Temperature measurement is performed by using MCP9701A temperature sensors. The LabJack T7 device is used to switch the circuit on and off using a digital output (DIO in PWM mode) and to measure the temperature using an analog input AIN. The PWM signal duty cycle, is set using a PID controller which is implemented in MatDeck. MatDeck provides GUI forms for effective and intuitive configuration of LabJack devices, as illustrated here.

Schematics of the electronic circuits

The schematics of the system described above for temperature control is displayed below. It should be pointed out that the schematics are created in MatDeck, which is suitable for various professional drawings.



The description of the circuit is as follows:

Functionality

- IN2 and OUT2 demonstrate PID temperature control

Demo board schematic pin descriptions

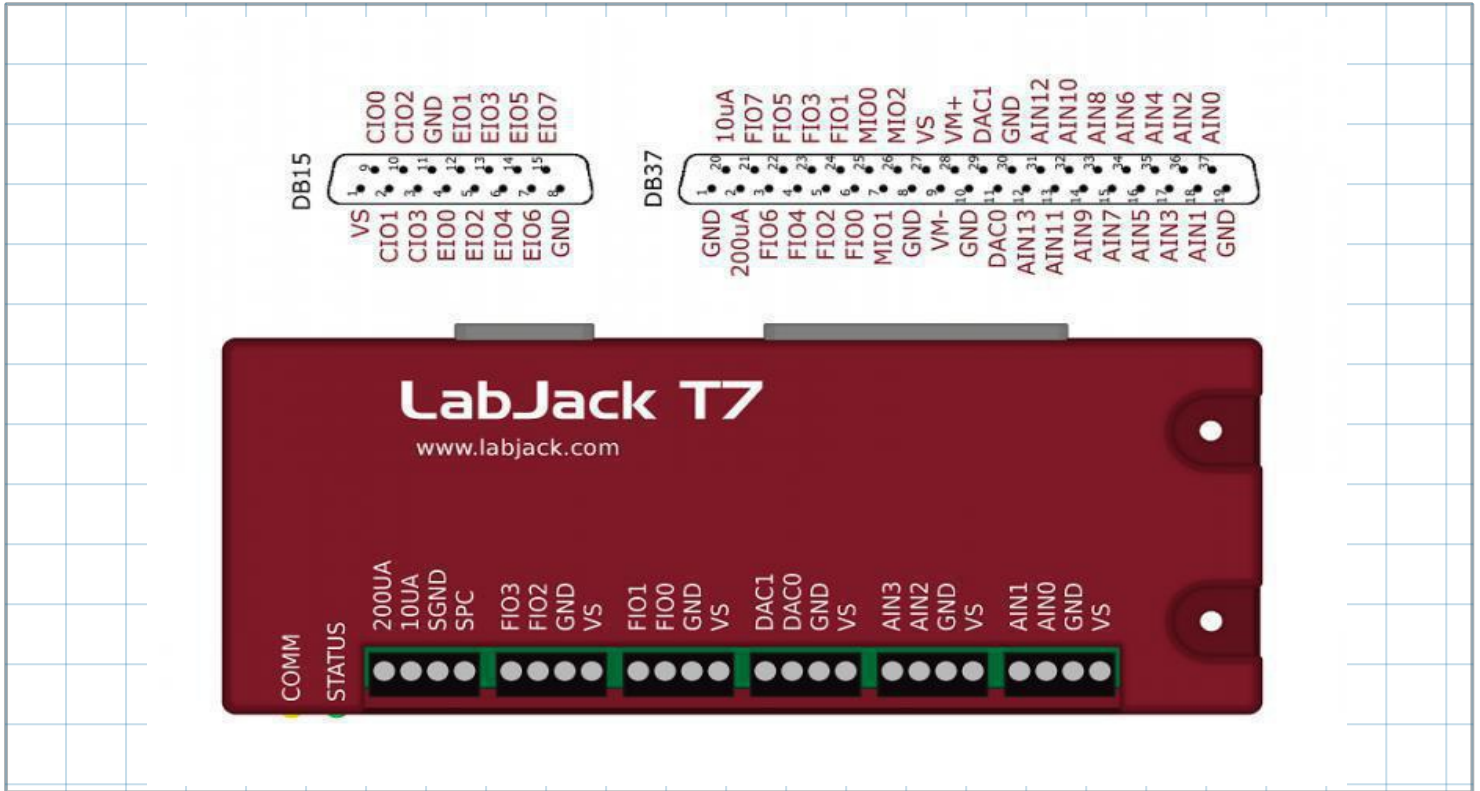
- IN2 input - connected to the PWM driver output in order to heat up the resistor
- OUT2 - output from the temperature sensor in mV

Connection to LabJack unit

- IN2 is connected to the PWM output
- OUT2 is connected to Analog inputs

Parts:

- For the power driver, BTS 141 is used which is a logic level low side driver.
- The temperature sensor used is MCP9700A-E/TO



Use of LabJack T7

In this experiment, the LabJack T7 device is used to produce a digital PWM output which is connected to the IN2. At the same time, T7 is used to measure the temperature by collecting the OUT2 signal at the AIN2 channel. MatDeck supports LabJack functions which can be used directly inside MatDeck's script to configure LabJack devices and to generate and acquire signals from the electronic circuits as described above. Here, details about the configuration of the selected features in this experiment are explained.

MatDeck also provides Graphical User Interface (GUI) plug-ins for simple, effective configuration. There are three plug-ins for three different groups of pins: `ljdioT7_config_form()` is used to configure DIOs, `ljainT7_config_form()` is used to configure AINs, and `ljdac_config_form()` is used to configure DACs. The details about the configuration of the selected features in this experiment are explained below.

GUI Configuration of DIO EF PWM out

Here, DIO0 is used to produce the IN2 signals. When DIO0 is high, the transistor is switched on and the current through the resistors heats the temperature sensor. If DIO0 is low, the transistor is switched off and there is no current, thus the temperature will fall.

The GUI form for DIO configuration can be started using by `ljdioT7_config_form()`, as follows. The form is embedded within the canvas and used for the configuration of DIOs.

```
1 f := ljdioT7_config_form(0, "DIO form1")
2 ljdioT7_config_form_configure(f)
```

PWM Out at FIO0(DIO0) requires the clock source, thus the clock is first configured. There are three parameters to select for the configuration: clock source, clock divisor and the roll value for the given clock.

There are three different clocks supported by the T7, the most common is clock0 whose frequency is 80MHz. The clock divisor can be any power of two from 1, 2, up to 256, in this example we select a value of 1. The roll value is determined according to the desired frequency of the PWM Out signal. For example, if the desired frequency is 1kHz, the roll value is $80\text{Hz}/\text{Divisor}/1\text{kHz}=80000$. In the GUI, it is possible to choose and set the desired frequency or desired roll value. PWM output at FIO0 (DIO0) is configured by selecting the appropriate option from the drop down menu. In the GUI, it is possible to set the desired value of the duty cycle directly to 50%.

LabJack - DIO Configuration Form

Device Type: T7
 Connection Type: ANY
 Device ID: ANY

Tabs: DIO(0:7) FIO(0:7) | DIO(8:15) EIO(0:7) | DIO(16:19) CIO(0:3) | DIO(20:22) MIO(0:2) | EF Clock Source

DIO0: PWM Out, Desired Freq. (Hz) 1000, Duty Cicle (%) 50
 DIO1: [Dropdown]
 DIO2: [Dropdown]
 DIO3: [Dropdown]
 DIO4: [Dropdown]
 DIO5: [Dropdown]
 DIO6: [Dropdown]
 DIO7: [Dropdown]

Configure

GUI Configuring Temperature Measurement

The temperature is measured by using the AIN2 channel of the T7, where the OUT2 signal is connected. The low power linear active thermistor circuit ,MCP9701A, is used as a temperature sensor. Here, OUT2 is the voltage that depends on the ambient temperature, which should be converted into temperature using the linear function given in the data-sheet. The sensor transfer function is:

$$V_{OUT} = T_C \cdot T_A + V_{0^\circ C}$$

Here, V_{OUT} is the sensor output voltage, T_A is ambient temperature, T_C is the temperature coefficient, and $V_{0^\circ C}$ is the sensor output voltage at $0^\circ C$. From the MCP9701A datasheet, $T_C=19.5 \text{ mV}/^\circ C$ and $V_{0^\circ C}=400\text{mV}$. In order to determine the temperature from the voltage, we need the inverse of the function.

$$T_A = V_{OUT}/T_C - V_{0^\circ C}/T_C$$

Slope and offset can be determined as follows:

```
3 Tc := 0.0100
4 V0 := 0.5
5 Slope := 1 / Tc
6 Offset := -V0 / Tc
```

AIN2 is configured to use the Offset and Slope extended feature, EF_INDEX is 1, which automatically adds a slope and an offset to analog readings according to the linear function above.

Slope = 100

Offset = -50

MatDeck provides `ljainT7_config_form()` that can be used to set all the parameters graphically, which is very convenient for the user. In the following segment, there is an illustration on how to use the AIN configuration form. At the beginning, the form is evoked by calling the function `ljainT7_config_form()`. The form is embedded within the canvas and used for the configuration of AINs.

```
7 f2 := ljainT7_config_form(0, "AIN form1")
8 ljainT7_config_form_configure(f2)
```

LabJack - AIN Configuration Form

Device Type: T7 | Connection Type: ANY | Device ID: ANY

AI(0:3) | AI(4:7) | AI(8:11) | AI(12:13) | Stream | All

AI0: [Dropdown]

AI1: [Dropdown]

AI2: Offset and Slope [Dropdown]

Offset: -50.0 [Spin]

Slope: 100.0 [Spin]

AI3: [Dropdown]

Configure

Use of Configured LabJack T7

In order to use the configuration and use the device, the LabJack T7 device should be opened in the document:

```
9 dev := ljdevice_open("any", "any", "any")
```

The temperature is automatically read using:

```
10 Ta := ljdevice_read(dev, "AIN2_EF_READ_A")
```

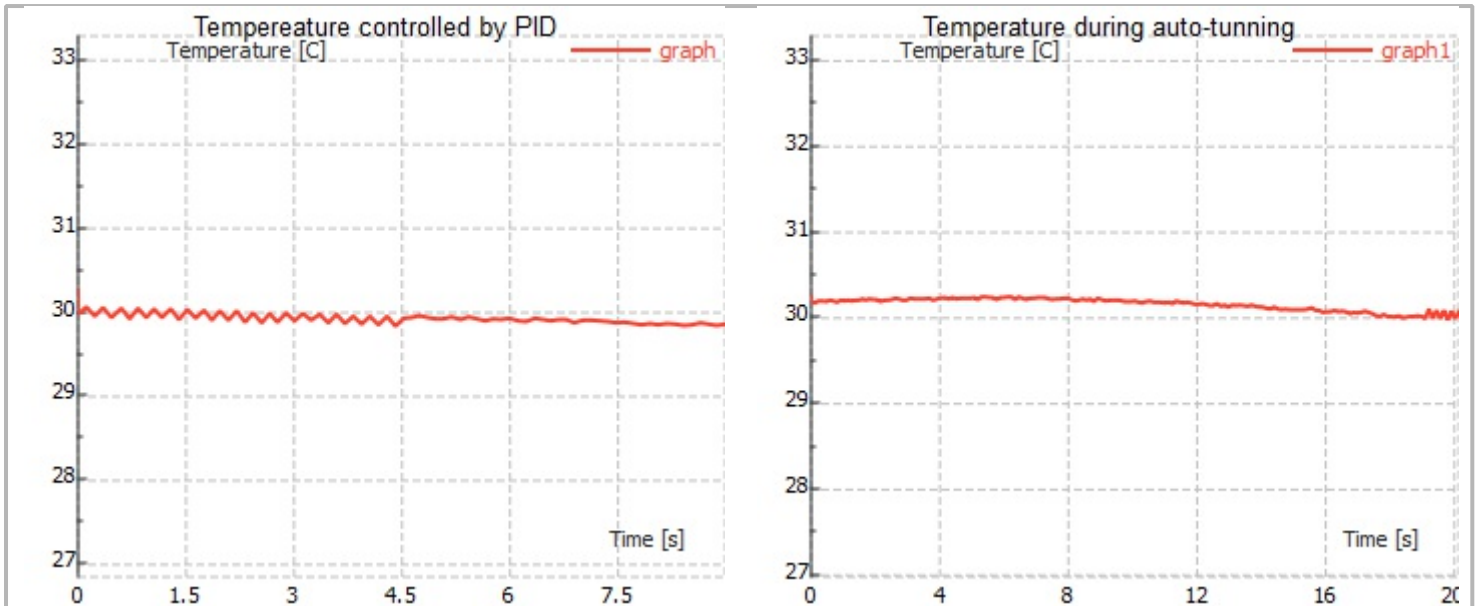
```
Ta = 29.861 C
```

PID temperature control

MatDeck provides a PID controller which can adjust the ambient temperature close to the sensor by switching the transistor on and off in the circuits shown in the schematics from above. MatDeck's PID controller is used in real-time operation to heat the system. The PID controller is a three component controller having proportional, integral and derivative terms. A PID controller continuously calculates the error value as the difference between a desired setpoint temperature and a measured temperature from the AIN2 LabJack channel. It then applies a correction based on the proportional, integral, and derivative terms using control variables. In the proposed example, the control variable is the duty cycle of the PWM out signal at DIO0. The user specifies the clock value which is the PID exchange period and the set point which is related to the controlled system. The PID controller widget contains the graph where it is possible to see the value of the measured process variable against the set point.

Auto-tuning PID controllers adjust its control parameters (proportional gain, integral gain, derivative gain) to the optimum values for the desired control response. The Ziegler–Nichols method for auto-tuning is the most common method in practice. The auto-tuning is based on the Ziegler–Nichols method, with the following different controllers: p, pi, pid, less overshoot, no overshoot, and Pessen integral.

```
11 graph := vector_create(2, true, 0) //Graph to show the Temperature
12 graph[1] = Ta
13 graph1 := graph // Graph to show auto-tunning process
14 pid_period := 100
15 Target_T := 30
16 tunning_m := 2
17 // Call autotunning function
18 KPID := pid_autotune_direct(pid_period, Target_T, tunning_m, dev, 1, 1)
19 // Obtained proportional, integral and derivative terms
20 KP := KPID[0]
21 KI := KPID[1]
22 KD := KPID[2]
23 //Call PID function
24 pid_direct(pid_period, Target_T, KP, KI, KD, dev, 1, 1)
```



Finally, at the end, all extended features should be disabled and the device should be closed.

```
25 ljdevice_close(dev)
```

The code for the `pid_direct()` function is given in the next segment. The next part of the code is used to read the temperature and to communicate with the PID controller continuously.

```
26 pid_direct(period, set_point, kp, ki, kd, ljdev, over, under)
27 {
28     point_value := 0
29     dt := 0
30     stop := false
31     error := 0
32     preverror := 0
33     inte := 0
34     manipulatedValue := 0
35     Temp := 0
36     tgr := vector_create(2, true, 0)
37     de := 0
38     curr_time := timenow()
39     tstart := curr_time
40     config_a := 0
41     roll_value := 80000
42     //PID loop
43     while(!stop)
44     {
45         Temp = timenow()
46         dt = Temp - curr_time
47         if(dt == 0)
48             dt = 0.001
49         curr_time = Temp
50         point_value = ljdevice_read(ljdev, "AIN2_EF_READ_A") //read T
51         Ta = point_value
52         if ((Ta > (set_point + over)) || (Ta < (set_point - under)))
53             stop = true
54         tgr[0] = timenow() - tstart
55         tgr[1] = Ta
```

```

56
57 graph = join_mat_rows(graph, tgr)
58 error = set_point - point_value
59 de = error - preverror
60 preverror = error
61 inte = inte + dt * error
62 manipulatedValue = kp * error + ki * inte + kd * de / dt
63 if(manipulatedValue < 0)
64 {
65     manipulatedValue = 0
66 }
67 else if(manipulatedValue > 100)
68 {
69     manipulatedValue = 100
70 }
71 config_a = roll_value * manipulatedValue / 100
72 ljdevice_write(dev,"DIO0_EF_CONFIG_A", config_a) //set control
73 sleep(period)
74 }
75 }

```

Here is the code for the auto-tuning function .

```

76 // pid autotune
77 pid_autotune_direct(period, set_point, ttype, ljdev, over, under)
78 {
79     stop := false
80     kp := 0
81     ki := 0
82     kd := 0
83     cycles := 5
84     finished := false
85     loopinterval := 0
86     pointvalue := 0
87     Temp := 0
88     mx := -1000000
89     mn := 1000000
90     thigh := 0
91     tlow := 0
92     minOutput := 0
93     maxOutput := 100
94     outputValue := maxOutput
95     kpConstant := 0
96     tiConstant := 0
97     tdConstant := 0
98     isModeP := 0
99     // znModeP=0
100    // znModePI=1
101    // znModeBasicPID=2
102    // znModeLessOvershoot=3
103    // znModeNoOvershoot=4
104    // znModePessenIntegral=5
105    if(ttype == 0)
106    {
107        kpConstant = 0.5
108        tiConstant = 1.0
109        tdConstant = 0.0
110        isModeP = 0.0
111    }

```

```

112
113 else if(ttype == 1)
114 {
115     kpConstant = 1/2.2
116     tiConstant = 1/1.2
117     tdConstant = 0.0
118     isModeP = 1.0
119 }
120 else if(ttype == 2)
121 {
122     kpConstant = 0.6
123     tiConstant = 0.5
124     tdConstant = 0.125
125     isModeP = 1.0
126 }
127 else if(ttype == 3)
128 {
129     kpConstant = 0.3
130     tiConstant = 0.5
131     tdConstant = 0.33
132     isModeP = 1.0
133 }
134 else if(ttype == 4)
135 {
136     kpConstant = 0.2
137     tiConstant = 0.5
138     tdConstant = 0.33
139     isModeP = 1.0
140 }
141 else if(ttype == 5)
142 {
143     kpConstant = 0.7
144     tiConstant = 0.4
145     tdConstant = 0.15
146     isModeP = 1.0
147 }
148 ku := 0 // ultimate gain
149 tu := 0 //period of oscilations
150 counter := 0 //count cycles
151 paverage := 0
152 iaverage := 0
153 daverage := 0
154 output := true
155 config_a := 0
156 roll_value := 80000 //////
157 tutimer := timenow()
158 timer := tutimer
159 starttime := tutimer
160 tgr := vector_create(2, true, 0)
161 // tuning loop
162 while(!stop && !finished)
163 {
164     finished = (counter >= cycles)
165     pointvalue =ljdevice_read(ljdev, "AIN2_EF_READ_A") ///////////////
166     Tk := pointvalue
167     ind :=((Tk > (set_point + over)) || (Tk < (set_point -under)))
168     if ((counter >= 1) && ind)
169         stop = true
170     Temp = timenow()
171     loopinterval = Temp - timer
172     timer = Temp

```



```

173
174 tgr[0] = Temp - starttime
175 tgr[1] = pointvalue
176 graph1 = join_mat_rows(graph1, tgr)
177 mx = max(mx, pointvalue)
178 mn = min(mn, pointvalue)
179 if(output && (pointvalue > set_point))
180 {
181     output = false
182     outputValue = minOutput
183     Temp1 := timenow()
184     thigh = Temp1 - tutimer
185     if(thigh == 0)
186         thigh = 0.001
187     tutimer = Temp1
188     mx = set_point
189 }
190 if(!output && (pointvalue < set_point))
191 {
192     output = true
193     outputValue = maxOutput
194     Temp2 := timenow()
195     tlow = Temp2 - tutimer
196     if(tlow == 0)
197         tlow = 0.001
198     tutimer = Temp2
199     ku = (4 * (maxOutput - minOutput) / 2) / (cpi() * (mx - mn) / 2)
200     tu = (tlow + thigh)
201     print(tu)
202     kp = kpConstant * ku
203     ki = (loopinterval) * (kp * isModeP) / (tiConstant * tu)
204     kd = (tdConstant * kp * tu) / (loopinterval)
205     if(counter > 1)
206     {
207         paverage += kp
208         iaverage += ki
209         daverage += kd
210     }
211     mn = set_point
212     counter += 1
213     if(counter > cycles)
214     {
215         outputValue = minOutput
216         kp = paverage / (counter - 1)
217         ki = iaverage / (counter - 1)
218         kd = daverage / (counter - 1)
219     }
220 }
221 config_a = roll_value * outputValue / 100
222 ljdevice_write(dev, "DIO0_EF_CONFIG_A", config_a)
223 sleep(period)
224 }
225 ret_val := vector_create(3, false, 0)
226 ret_val[0] = kp
227 ret_val[1] = ki
228 ret_val[2] = kd
229 return(ret_val)
230 }

```